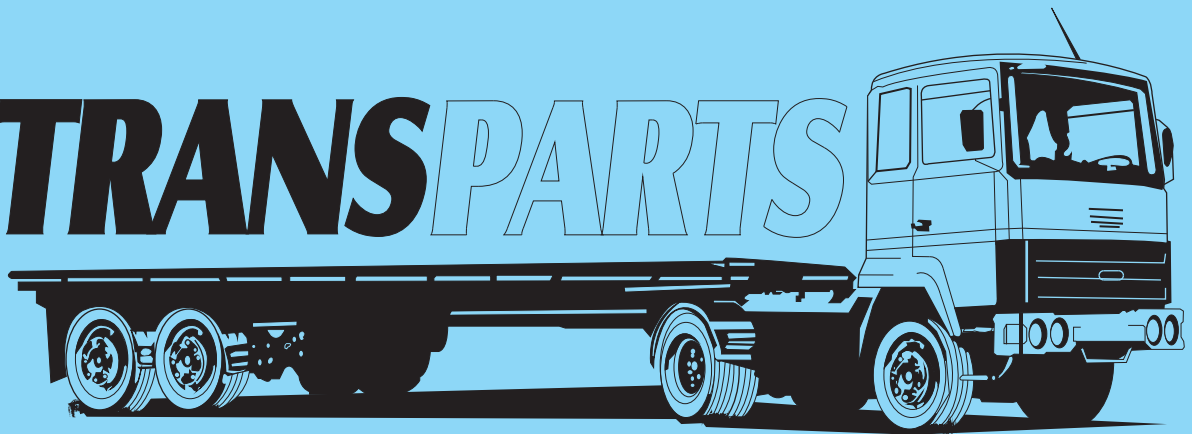


TRANSPARTS



Phone (07) 3273 4155

Fax: (07) 3273 4679

www.transparts.com.au


WallaceForge


Pintle Hooks


Draw Bar Eyes

Dual Purpose Hitch

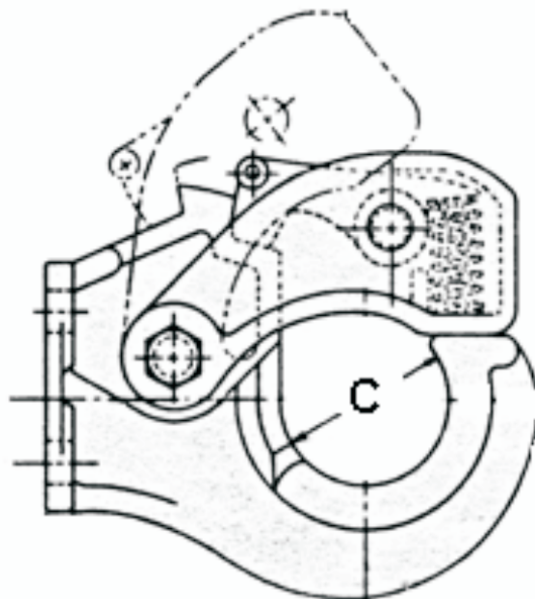
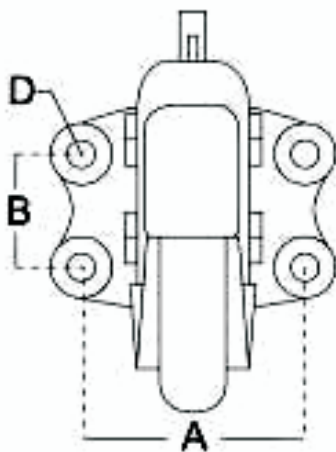
RIGID MOUNTED PINTLE HOOKS

Model R7	Part Number: 2055112	
	Maximun Capacity: 7 Tonne Vertical Load: 1 Tonne "D" Rating: 5.8 Tonne C.R.N. Rating No: 16120 Weight: 4kg	Mounting Data A=3 3/8" B=1 3/4" C=2" D=17/32"

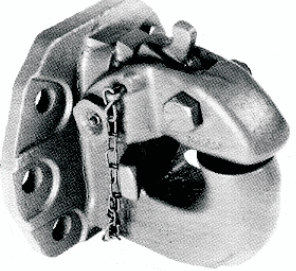
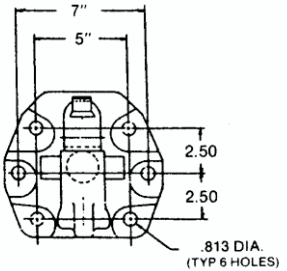
Model R15	Part Number: 2056113	
	Maximun Capacity: 15 Tonne Vertical Load: 3 Tonne "D" Rating: 6 Tonne C.R.N. Rating No: 16121 Weight: 5kg	Mounting Data A=3 3/8" B=1 3/4" C=1 7/8" D=17/32"

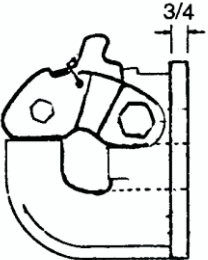
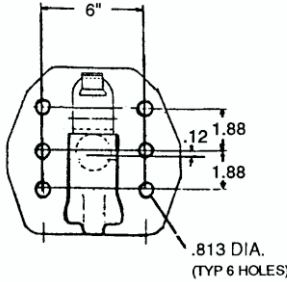
Model R20	Part Number: 2057114	
	Maximun Capacity: 20 Tonne Vertical Load: 3 Tonne "D" Rating: 8 Tonne C.R.N. Rating No: 16122 Weight: 6kg	Mounting Data A=3 3/8" B=1 3/4" C=1 7/8" D=19/32"

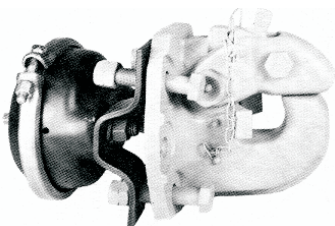
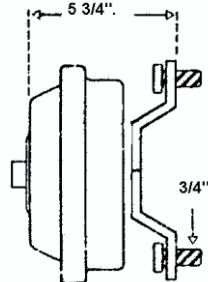
MOUNTING DATA

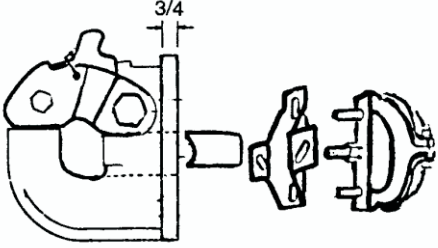
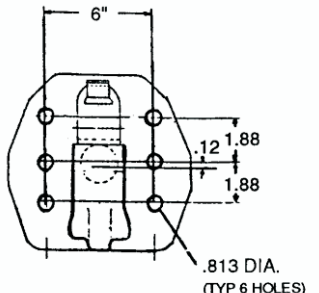


RIGID MOUNTED PINTLE HOOKS

<p>Model RN40</p>	<p>Part Number: 2060115</p>	
	<p>Maximun Capacity: 40 Tonne Vertical Load: 9 Tonne "D" Rating: 10 Tonne C.R.N. Rating No: 16123 Weight: 17kg</p>	

<p>Model R45A6</p>	<p>Part Number: 2060115/45A6</p>	<p>No Booster</p>
	<p>Maximun Capacity: 40 Tonne Vertical Load: 9 Tonne "D" Rating: 10 Tonne C.R.N. Rating No: 16123 Weight: 17kg</p>	 <p style="text-align: center;">Straight mounting holes</p>

<p>Model R40</p>	<p>Part Number: 2060115/C</p>	<p>With Air</p>
	<p>Maximun Capacity: 40 Tonne Vertical Load: 9 Tonne "D" Rating: 10 Tonne C.R.N. Rating No: 16123 Weight: 25kg</p>	

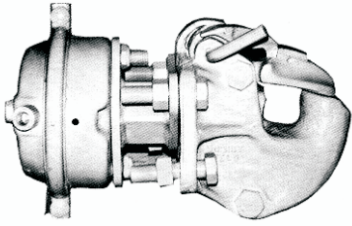
<p>Model R45A6</p>	<p>Part Number: 2060115/45</p>	<p>With Air</p>
	<p>Maximun Capacity: 40 Tonne Vertical Load: 9 Tonne "D" Rating: 10 Tonne C.R.N. Rating No: 16123 Weight: 25kg</p>	

RIGID MOUNTED PINTLE HOOKS

Model R45A-4

Part Number: 2354454

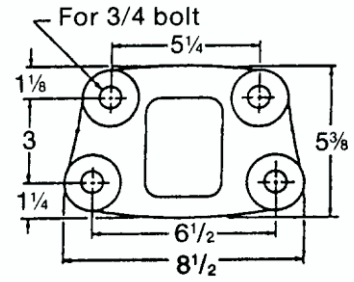
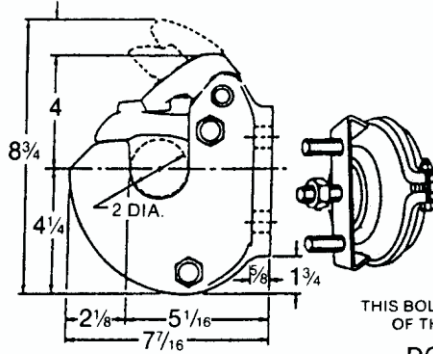
With Air



Maximum Capacity: 45 Tonne
Vertical Load: 9 Tonne
"D" Rating: 10 Tonne
C.R.N. Rating No: TBA
Weight: 21kg

R45A-4

MUST BE USED
WITH AIR.



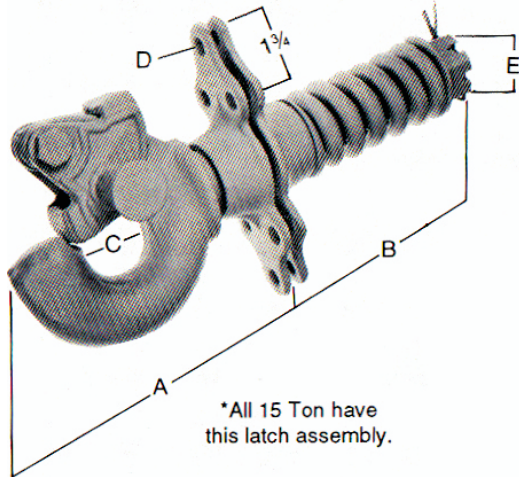
THIS BOLT HOLE SPACING IS IDENTICAL TO THAT
OF THE 270 AND THE PH-200 PINTLE HOOK

DO NOT WELD OR MODIFY

SPRING MOUNTED PINTLE HOOKS

Model 15T

Part Number: 2048105SP

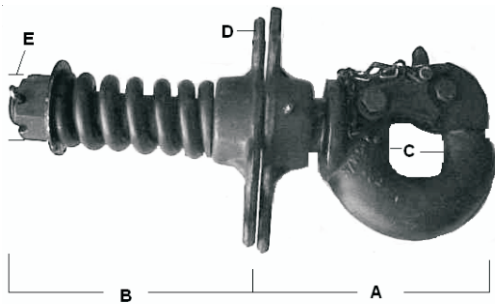


Maximun Capacity: 15 Tonne
 Vertical Load: 2 Tonne
 "D" Rating: 6 Tonne
 C.R.N. Rating No: 16126
 Weight: 15kg

Mounting Data
 A= 7 7/8"
 B= 9 11/16"
 C= 1 7/8"
 D= 17/32"
 E= 1 1/2"

Model 25T

Part Number: 2049106SP



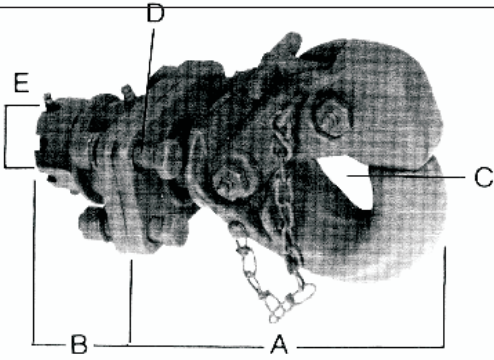
Maximun Capacity: 25 Tonne
 Vertical Load: 3 Tonne
 "D" Rating: 9 Tonne
 C.R.N. Rating No: 16127
 Weight: 16kg

Mounting Data
 A= 8 3/16"
 B= 9 11/16"
 C= 1 7/8"
 D= 17/32"
 E= 1 1/2"

SWIVEL MOUNTED PINTEL HOOKS

Model B8

Part Number: 2047104



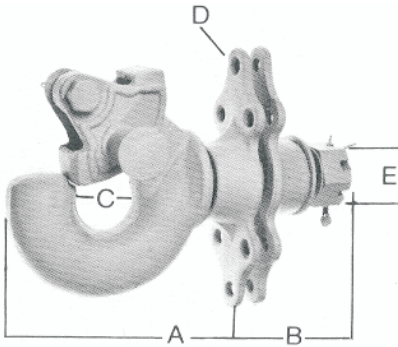
Maximun Capacity: 8 Tonne
 Vertical Load: 1 Tonne
 "D" Rating: 3.5 Tonne
 C.R.N. Rating No: 16125
 Weight: 7kg

Mounting Data

A= 8 1/4"
 B= 4"
 C= 1 7/8"
 D= 17/32"
 E=1 1/4"

Model B15

Part Number: 2048105



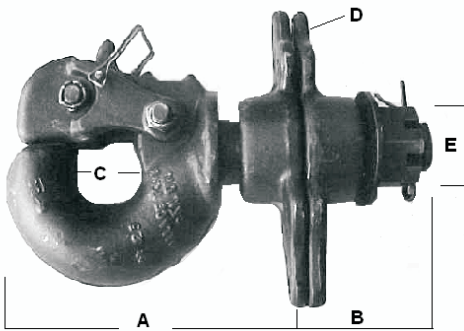
Maximun Capacity: 15 Tonne
 Vertical Load: 1.5 Tonne
 "D" Rating: 6 Tonne
 C.R.N. Rating No: 16126
 Weight: 13kg

Mounting Data

A= 8"
 B= 4 3/8"
 C= 1 7/8"
 D= 17/32"
 E= 1 1/2"

Model B25

Part Number: 2049106



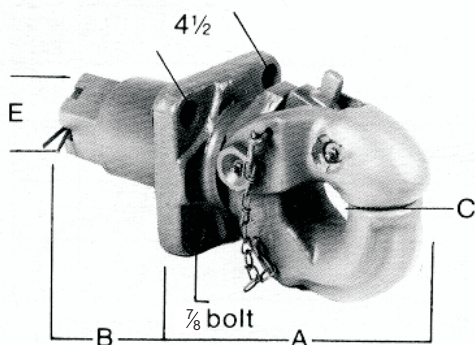
Maximun Capacity: 25 Tonne
 Vertical Load: 3 Tonne
 "D" Rating: 9 Tonne
 C.R.N. Rating No: 16127
 Weight: 13kg

Mounting Data

A= 8"
 B= 4 3/8"
 C= 1 7/8"
 D= 17/32"
 E= 1 1/2"

Model B50

Part Number: 2051108



Maximun Capacity: 50 Tonne
 Vertical Load: 10 Tonne
 "D" Rating: 19 Tonne
 C.R.N. Rating No: 37990
 Weight: 28kg

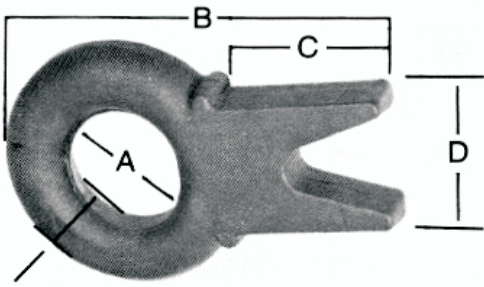
Mounting Data

A= 8 1/8"
 B= 6 3/4"
 C= 1 3/4"
 E= 2 1/4"

DRAWBAR EYES

**Model 051LT
WELD IN EYE**

Part Number: 2069120

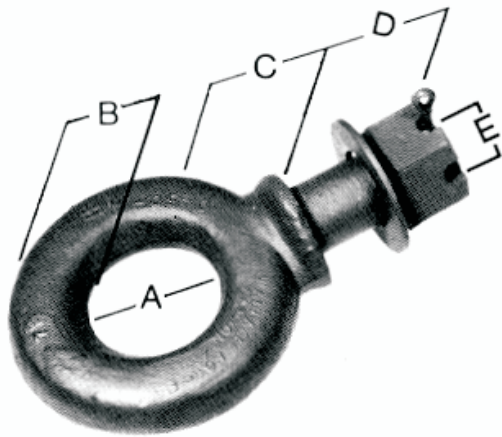


Maximun Capacity: 10 Tonne
 Vertical Load: 2 Tonne
 "D" Rating: 4.5 Tonne
 C.R.N. Rating No: 16132
 Weight: 7.5kg

Mounting Data
 A= 3"
 B= 10"
 C= 4"
 D= 3 3/8"

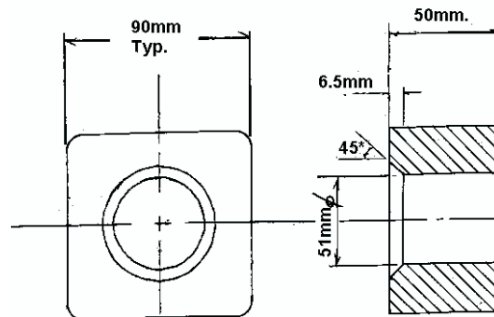
**Model 051B
DEMOUNTABLE EYE**

**Part Number: 2062128
2062128B Mtg Block**



Maximun Capacity: 25 Tonne
 Vertical Load: 4.5 Tonne
 "D" Rating: 8 Tonne
 C.R.N. Rating No: 16133
 Weight: 7.5kg

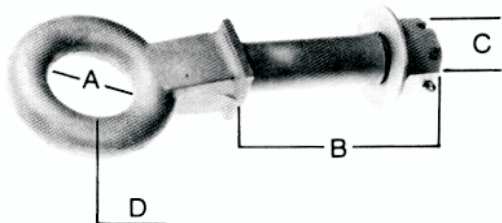
Mounting Data
 A= 3"
 B= 1 5/8"
 C= 3 1/4"
 D= 4"
 E= 2"



2062128B.

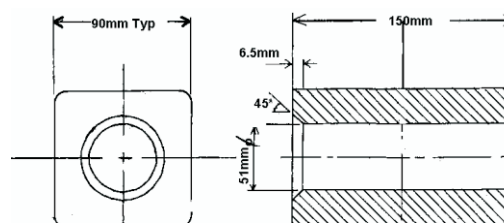
**Model 51337
DEMOUNTABLE EYE**

**Part Number: 2063126
2063126B Mtg Block**



Maximun Capacity: 25 Tonne
 Vertical Load: 4.5 Tonne
 "D" Rating: 8 Tonne
 C.R.N. Rating No: 16133
 Weight: 11kg

Mounting Data
 A= 3"
 B= 8 5/16"
 C= 2"
 D= 1 5/8"

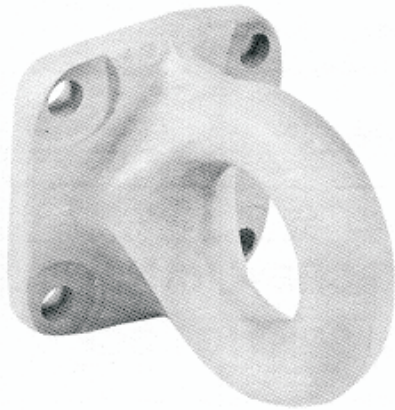


2063126B.

DRAWBAR EYES

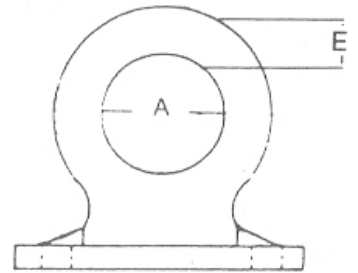
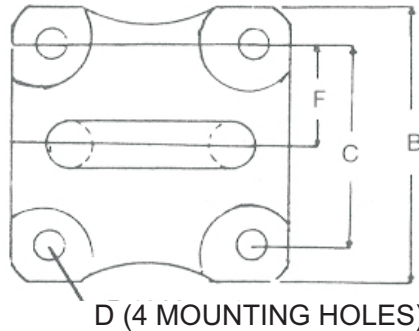
**Model R51A
BOLT ON EYE**

Part Number: 2067135



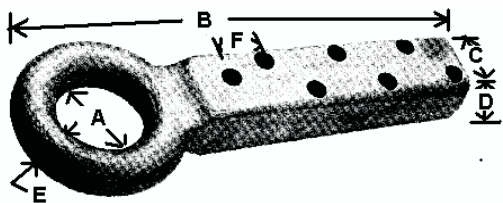
Maximum Capacity: 45 Tonne
Vertical Load: 9 Tonne
"D" Rating: 10 Tonne
C.R.N. Rating No: 16130

Mounting Data
A= 3"
B= 6"
C= 4.5"
D=25/32"
E= 1 5/8"
F= 2.25"
G= 6 7/8"



**Model 051E
BOLT IN EYE**

Part Number: 2068133

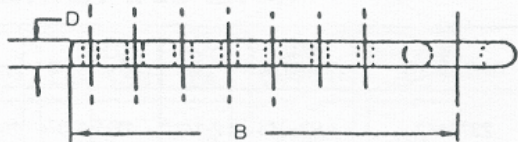


Maximum Capacity: 15 Tonne
Vertical Load: 3 Tonne
"D" Rating: 6 Tonne
C.R.N. Rating No: 16131

Mounting Data
A= 3"
B= 15"
C= 3"
D= 2 1/2"
E= 1 5/8"
F= 1.5"

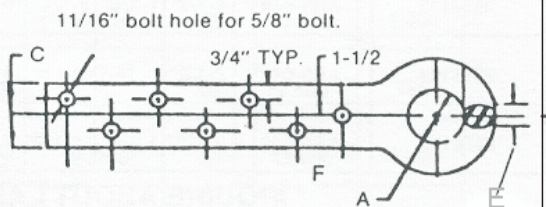
**Model 052D
BOLT IN EYE**

Part Number: 1111238





Maximum Capacity: 10 Tonne
Vertical Load: 2 Tonne
"D" Rating: 4 Tonne
C.R.N. Rating No: 37984

Mounting Data
A= 3"
B= 17.25"
C= 3"
D= 1 5/8"
E= 1 5/8"
F= 2"



DUAL PURPOSE HITCH

Model DPH50 Dual Purpose Hitch	Part Number: 2331223														
	<table><tr><td>Maximun Capacity: 6 Tonne</td><td>Mounting Data</td></tr><tr><td>Vertical Load: 1.5 Tonne</td><td>A= 3 3/8"</td></tr><tr><td>"D" Rating: 2 Tonne</td><td>B= 1 3/4"</td></tr><tr><td>C.R.N. Rating No: 16124</td><td>C= 1 7/8"</td></tr><tr><td>Max Capacity 50mm Ball: 3.5T</td><td>D= 17/32"</td></tr><tr><td></td><td>Ball Shank Size: 1"</td></tr><tr><td></td><td>Wt: 6kgs</td></tr></table>	Maximun Capacity: 6 Tonne	Mounting Data	Vertical Load: 1.5 Tonne	A= 3 3/8"	"D" Rating: 2 Tonne	B= 1 3/4"	C.R.N. Rating No: 16124	C= 1 7/8"	Max Capacity 50mm Ball: 3.5T	D= 17/32"		Ball Shank Size: 1"		Wt: 6kgs
Maximun Capacity: 6 Tonne	Mounting Data														
Vertical Load: 1.5 Tonne	A= 3 3/8"														
"D" Rating: 2 Tonne	B= 1 3/4"														
C.R.N. Rating No: 16124	C= 1 7/8"														
Max Capacity 50mm Ball: 3.5T	D= 17/32"														
	Ball Shank Size: 1"														
	Wt: 6kgs														

Model MAGNUM Dual Purpose Hitch	Part Number: 210188										
	<table><tr><td>Maximun Capacity: 10 Tonne</td><td>Mounting Data</td></tr><tr><td>Vertical Load: 2 Tonne</td><td>A= 3 3/8"</td></tr><tr><td>"D" Rating: 4 Tonne</td><td>B= 1 3/4"</td></tr><tr><td>C.R.N. Rating No: 37994</td><td>D= 19/32"</td></tr><tr><td>Max Capacity 50mm Ball: 3.5T</td><td>Wt: 8kgs</td></tr></table>	Maximun Capacity: 10 Tonne	Mounting Data	Vertical Load: 2 Tonne	A= 3 3/8"	"D" Rating: 4 Tonne	B= 1 3/4"	C.R.N. Rating No: 37994	D= 19/32"	Max Capacity 50mm Ball: 3.5T	Wt: 8kgs
Maximun Capacity: 10 Tonne	Mounting Data										
Vertical Load: 2 Tonne	A= 3 3/8"										
"D" Rating: 4 Tonne	B= 1 3/4"										
C.R.N. Rating No: 37994	D= 19/32"										
Max Capacity 50mm Ball: 3.5T	Wt: 8kgs										